

Recessed CE5035

# CE5035-A90



# CE5035-A90

## Basic Parameters

Application	Indoor
Material	AL6063-T5,spraying surface
IP Grade	IP20
Warranty	5 years

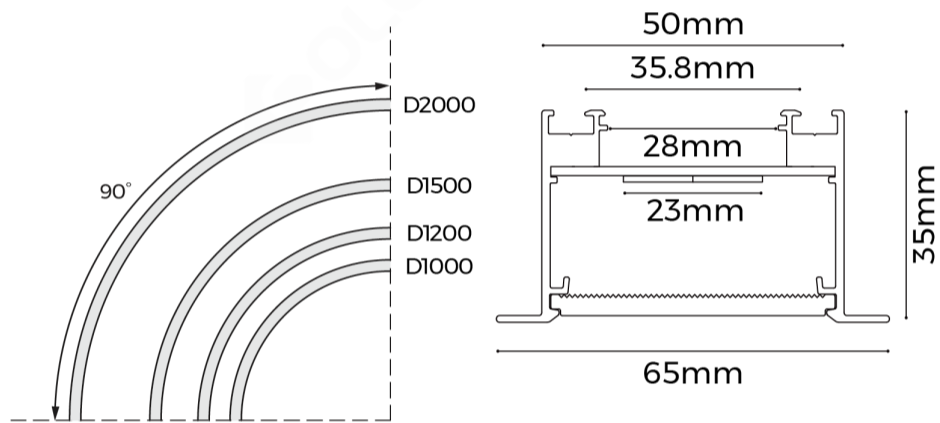
## Electrical Parameters

## Optical Parameters

Length	D1000mm,D1200mm,D1500mm,D2000mm
Luminous Efficacy	90LM/W



## Dimensions

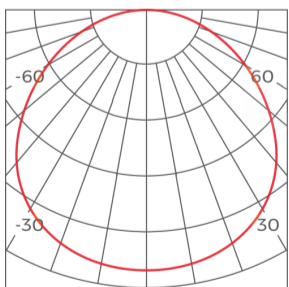


## Luminaire Parameters

Version	Size(mm)	Power(W)	PCB Current(A)	CRI	CCT	Lumens(LM) @White, Silver	Lumens(LM) @Black
Regular	D1000mm	18	0.75	>80	4000K	1620	1377
Regular	D1200mm	22	0.92	>80	4000K	1980	1683
Regular	D1500mm	28	1.17	>80	4000K	2520	2142
Regular	D2000mm	37	1.54	>80	4000K	3330	2830
Regular	D1000mm	18	0.75	>90	4000K	1393	1184
Regular	D1200mm	22	0.92	>90	4000K	1702	1447
Regular	D1500mm	28	1.17	>90	4000K	2167	1842
Regular	D2000mm	37	1.54	>90	4000K	2863	2434

## Light Distribution

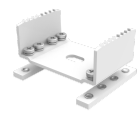
Regular-110°



h(m)	D(cm)	E(lx)
1	1151	22
2	287	556
3	575	139
4	863	61

## Common Accessories

## Splicing accessory



### EX-E16

Applicable product model: CS5035/CE5035 Material process:SPCC/ Electroplating Size: L46.5\*W30\*H18mm Quantity: 1 PCS/SET Other:Includes mounting screws.

## Dedicated light source



### DM51202423

Applicable product model: CS5035/CS5070/CE5035(stick a single strip)  
CS7035/CS7070/CE7035(paste two strips placed parallel to each other)  
Size: 4000\*23\*1.5mm/5000\*23\*1.5mm  
Cutting Unit:50mm  
Input Voltage:DC24V  
Typ.Power:14.4W/M(5M/roll); 24W/M(4M/roll)  
Typ.luminous flux:  
800LM/M@RGBNW(5M/roll)  
1320LM/M@RGBNW(4M/roll)  
CCT:RGB(DMX)+2700/RGB(DMX)+3000/RGB(DMX)+4000/RGB(DMX)+6000K  
CRI: RA80 @ white light  
Other:20# wire diameter,outer diameter 5.5mm, PVC material;5PIN red/black/green/blue/white wire



### DS81602423

Applicable product model: CS5035/CS5070/CE5035(stick a single strip)  
CS7035/CS7070/CE7035(paste two strips placed parallel to each other)  
Size: 4000\*23\*1.5mm/5000\*23\*1.5mm  
Cutting Unit:50mm  
Input Voltage:DC24V  
Typ.Power:14.4W/M(5M/roll); 24W/M(4M/roll)  
Typ.luminous flux:  
2300LM/M@RA80,4000k(5M/roll)  
3600LM/M@RA80,4000k(4M/roll)  
CCT: 2700/3000/3500/4000/5000/6500K  
CRI: 80/90  
Other:18# wire diameter,PVC material, 2PIN red-black wire



### DS83202423

Applicable product model:CS5035/CS5070/CE5035(stick a single strip)  
CS7035/CS7070/CE7035(paste two strips placed parallel to each other)  
Size: 3000\*23\*1.5mm/4000\*23\*1.5mm  
Cutting Unit:50mm/16LEDs  
Input Voltage:DC24V  
Typ.Power:  
48W/M(2700K+6500K)@3M/roll  
28.8W/M(2700K+6500K)@4M/roll  
Typ.luminous flux:  
4000LM/M@RA80,2700K+6500K(4M/roll)  
6700LM/M@RA80,2700K+6500K(3M/roll)  
CCT: 2700K+6500K  
CRI: 80/90  
Other:Outer diameter 6mm,18# wire diameter, brown-blue-green 3PIN crystal wire

## Cover



### CV-CS5035D

Applicable product model:CS5035/CS5070/CE5035(suitable for down-lighting) Diffuser Nature: Diffuser Material process: Silica gel flexible/frosting Light transmittance:≥55% Size: 20000\*47\*4mm Other: Fire protection rating UL94-V2 ;

## Controller



### CR2-GBA

Product Name: CR2-GBA Input Voltage: 12-48V Output Current:8A\*2CH,Max 16A Output Power:192W/384W@12V/24V , 384W/576W@36V/48V Dimming Mode: Two-color 2.4 remote control IP:IP20 Product Size:L175\*W45\*H27(mm)



### K-1000C

Product Name: K-1000C Input voltage: 5-24V Control Pixel Points:Point Control 1CH\*1024(SPI),Point Control 1CH\*512(DMX) Dimming mode:DMX/SPI control IP:IP20Warranty: 5 years



### K-8000C

Product Name: K-8000C Input Voltage: 5-24V Control Pixel Points:Point Control 8CH\*1024(SPI),Point Control 8CH\*512(DMX) Dimming mode:DMX/SPI control IP:IP20Warranty: 5 years

## End cap accessory



### EC-ME5035

Applicable product model: ME5035 Material process: aluminum/ powder spraying Size: L65\*W35\*H2.5mm Quantity:2PCS/ set

## Installation accessory



### CP-54

Applicable product model: MS5035/MS5070/ME5035 Applicable installation: Pendant/Ceiling/Recessed Material process: Stainless Steel Size: L37.87\*W20\*H5.4mm Quantity: 4 PCS/SET



### RB-04

Applicable product model: ME3535/ME5035/ME7035 Installation method: Recessed Material process: aluminum alloy/oil spray Size: 24\*6.9\*15.7mm Quantity: 4PCS/ set

## CCT-Remote control



### R7-1

Product Name:R7-1 Dual Color Remote  
 Working Voltage : 3VDC (Battery CR2032)  
 Operating Frequency:2.4GHz  
 Remote Control Distance: 30 meters  
 Operating Temperature: -30°C~55°C  
 Product Size: L107\*W58.5\*H9(mm)

## Power Supply

### BK-DEV200-24V0D



Applicable product model: General  
 Dimming mode: DALI2,PUSH-dimming,1-10V 3in1 dimming  
 Size: 361\*33.1\*22.8mm  
 Input voltage: AC200~240V  
 Operating frequency: 50/60Hz  
 PF value: ≥0.9  
 Output voltage: DC24V  
 Output current: ≤8.3A  
 Power: 200W  
 Efficiency: 0.92  
 Certification: TUV, CE, RCM  
 Case material: Metal housing

### BK-DGVX-24V0D



Product Name: BK-DGV036-24V0D/BK-DGV060-24V0D/BK-DGV100-24V0D  
 Applicable product model: General  
 Output power: 36W/60W/100W  
 Output current: ≤1.5A/≤2.5A/≤4.2A  
 Product size: 245.0\*30.0\*21.0mm/285.0\*30.0\*21.0mm/355.0\*30.0\*21.0mm  
 Input voltage: AC200~240V  
 Operating frequency: 50/60Hz  
 Output voltage: DC24V  
 PF value: ≥0.9  
 Efficiency: ≥0.88  
 IP: IP20  
 Dimming mode: DALI-2,PUSH-Dimming,1-10V 3in1 Dimming  
 Certification: CE, ENEC, UKCA, RCM, CCC, EL  
 Material: Metal housing  
 Warranty: 5 years

### BK-MEV200-24V0M



Applicable product model: General  
 Dimming mode: 1-10V Dimming  
 Size: 321.5\*48\*30mm  
 Input voltage: AC200~240V  
 Operating frequency: 50/60Hz  
 PF value: ≥0.9  
 Output voltage: DC24V  
 Output current: ≤8.3A  
 Power: 200W  
 Efficiency: 0.93  
 Certification: CE, ENEC, UKCA, RCM, CCC, EL  
 Case material: Metal housing

### BK-MGVX-24V0M



Product Name: BK-MGV036-24V0M/BK-MGV060-24V0M/BK-MGV100-24V0M  
 Applicable product model: General  
 Output power: 36W/60W/100W  
 Output current: ≤1.5A/≤2.5A/≤4.2A  
 Product size: 245.0\*30.0\*21.0mm/285.0\*30.0\*21.0mm/355.0\*30.0\*21.0mm  
 Input voltage: AC200~240V  
 Operating frequency: 50/60Hz  
 Output voltage: DC24V  
 PF value: ≥0.9  
 Efficiency: ≥0.89  
 IP: IP20  
 Dimming mode: 1-10V Dimming  
 Certification: TUV, CE, ENEC, RCM  
 Material: Metal housing  
 Warranty: 5 years

### LF-GHYXH24



Applicable product model: General  
 Dimming mode: Non-Dimming  
 Size: 316\*30.7\*22.8mm / 361\*33.1\*22.8mm  
 Input voltage: AC220~240V  
 Operating frequency: 50/60Hz  
 PF value: ≥0.9  
 Output voltage: DC24V  
 Output current: ≤4.25A / ≤10A  
 Power: 100W / 240W  
 Efficiency: 0.92  
 Certification: ENEC, CE, CB, RCM, UKCA, MM, CCC  
 Case material: Plastic

## Packing

QTY/CTN	N. WT (ctn)	G.WT (ctn)	Size (cm/carton)	Product Size (mm)
20	11	12.1	78*50*34	D1000*50*35mm
16	10.1	11.11	90.5*54*27.5	D1200*50*35mm
18	18.1	19.91	113.5*74.5*21	D1500*50*35mm
12	11.7	12.87	148*64*21	D2000*50*35mm